

# Earthquake- and Managementsystem secty lifePatron®







## INSTALLATION EXAMPLES

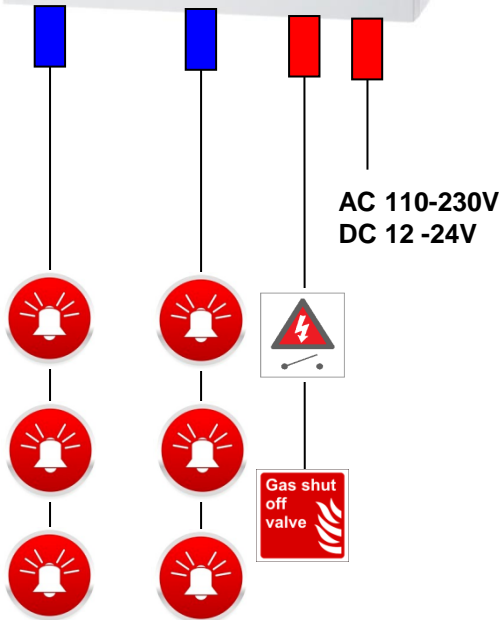


# Earthquake detector MASTER

## Cable Specification

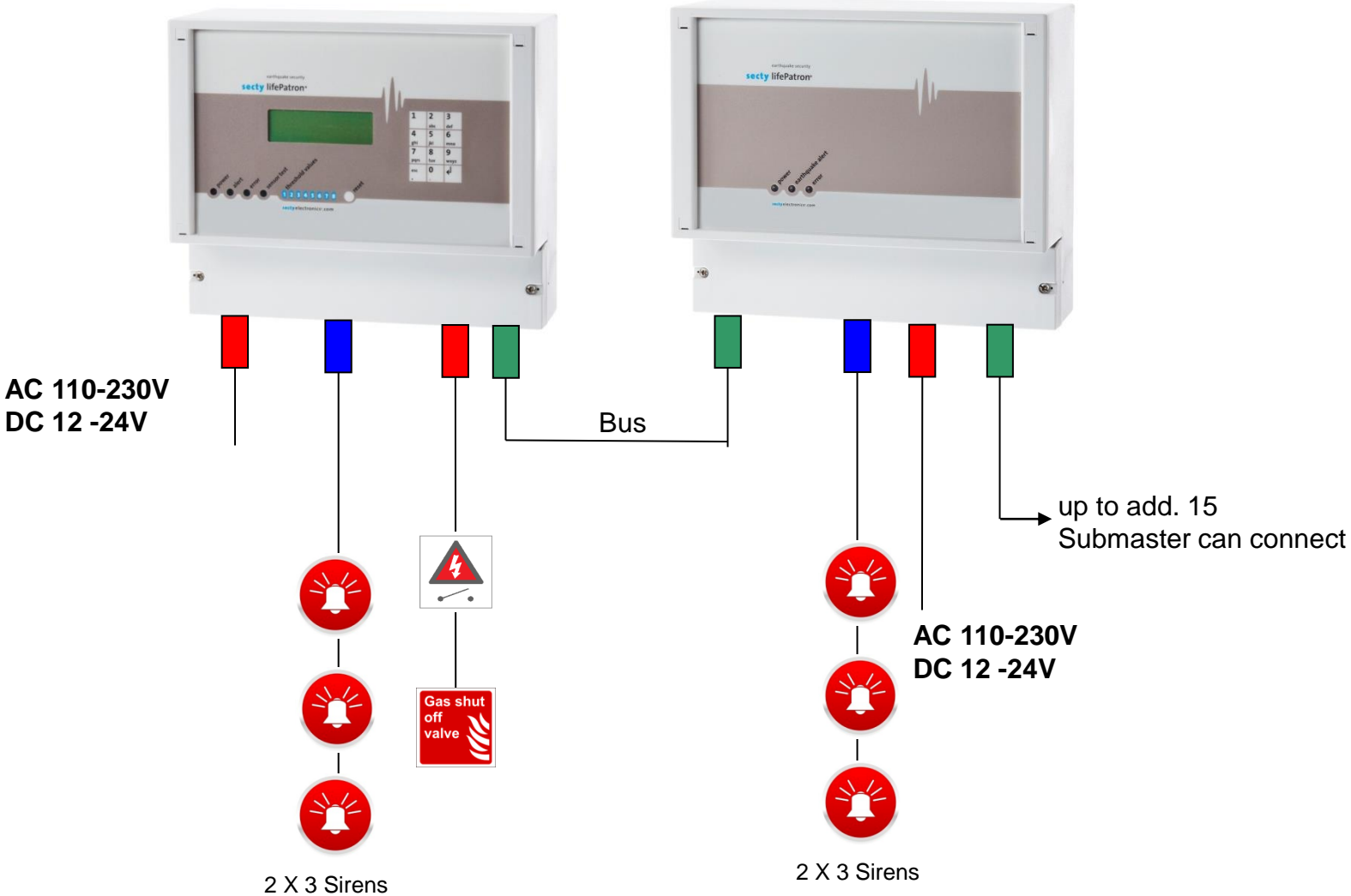


-  Cat. 6 or 7 4x2x0.5mm<sup>2</sup> shielded
-  IY(St)Y 2x2x1.5 mm<sup>2</sup> & 12V cable
-  Threshold values & Sabotage 12x0,5 mm<sup>2</sup> - max.110V
-  YSLY-JZ 9x 1,5 mm<sup>2</sup> or JZ-600 9x 1,5 mm<sup>2</sup> or equal
-  main voltage cable 12/ 24/ 110/ 230V: NYM 3 x 1.50 mm<sup>2</sup>
-  Fiber Optic Cable

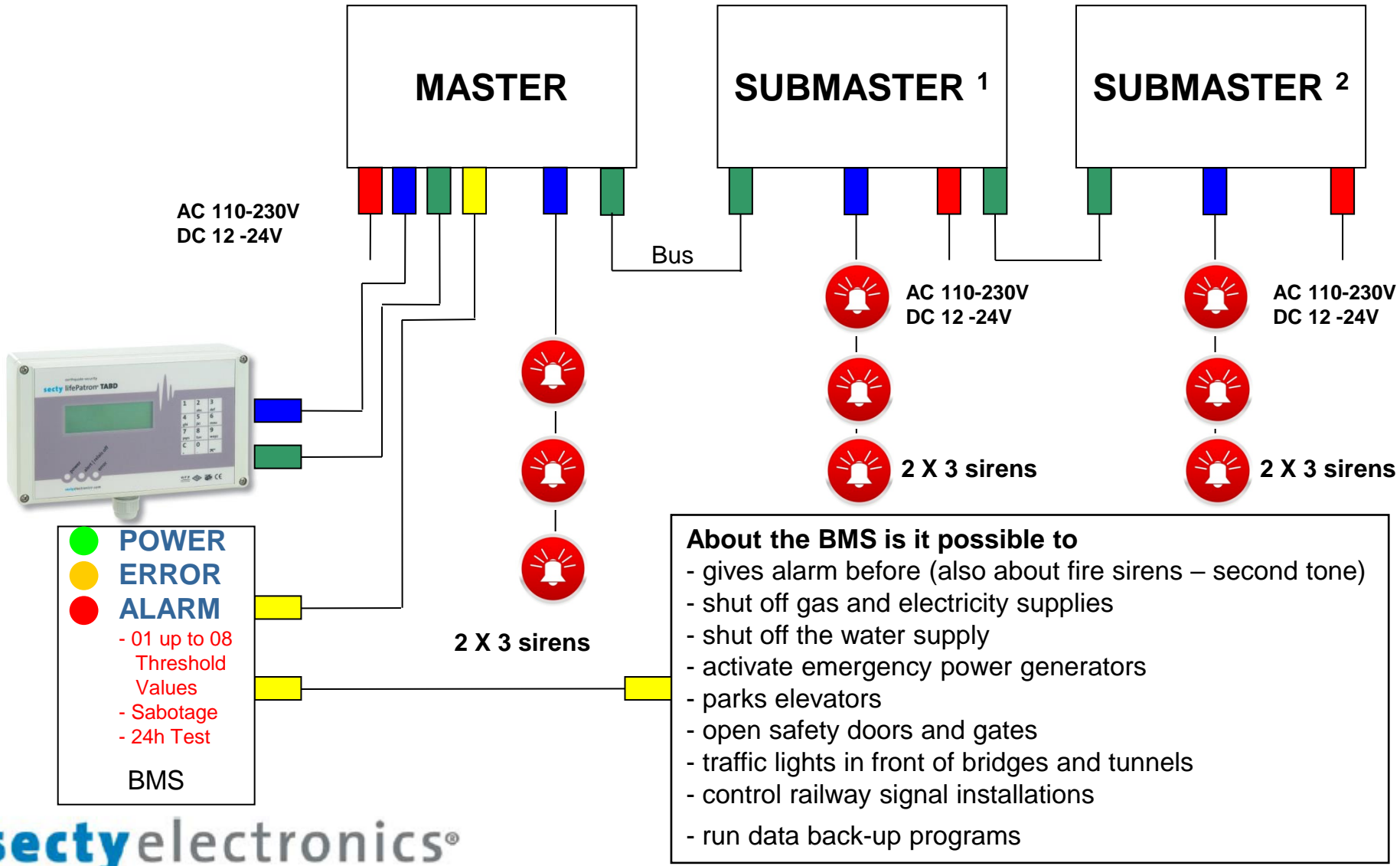


- 1. The installation of earthquake detectors is every time on concrete columns!**
- 2. The installation of earthquake detectors is in the ground floor!**
- 3. The distance between the first and last device is max. 1000m!**
- 4. The distance between the Master to TABD is max. 500m!**
- 5. The earthquake detectors comes in a protection case!**
- 6. The sirens are attached parallel.**
- 7. On the relai of valve you can connect all electronic devices up to 16A.**

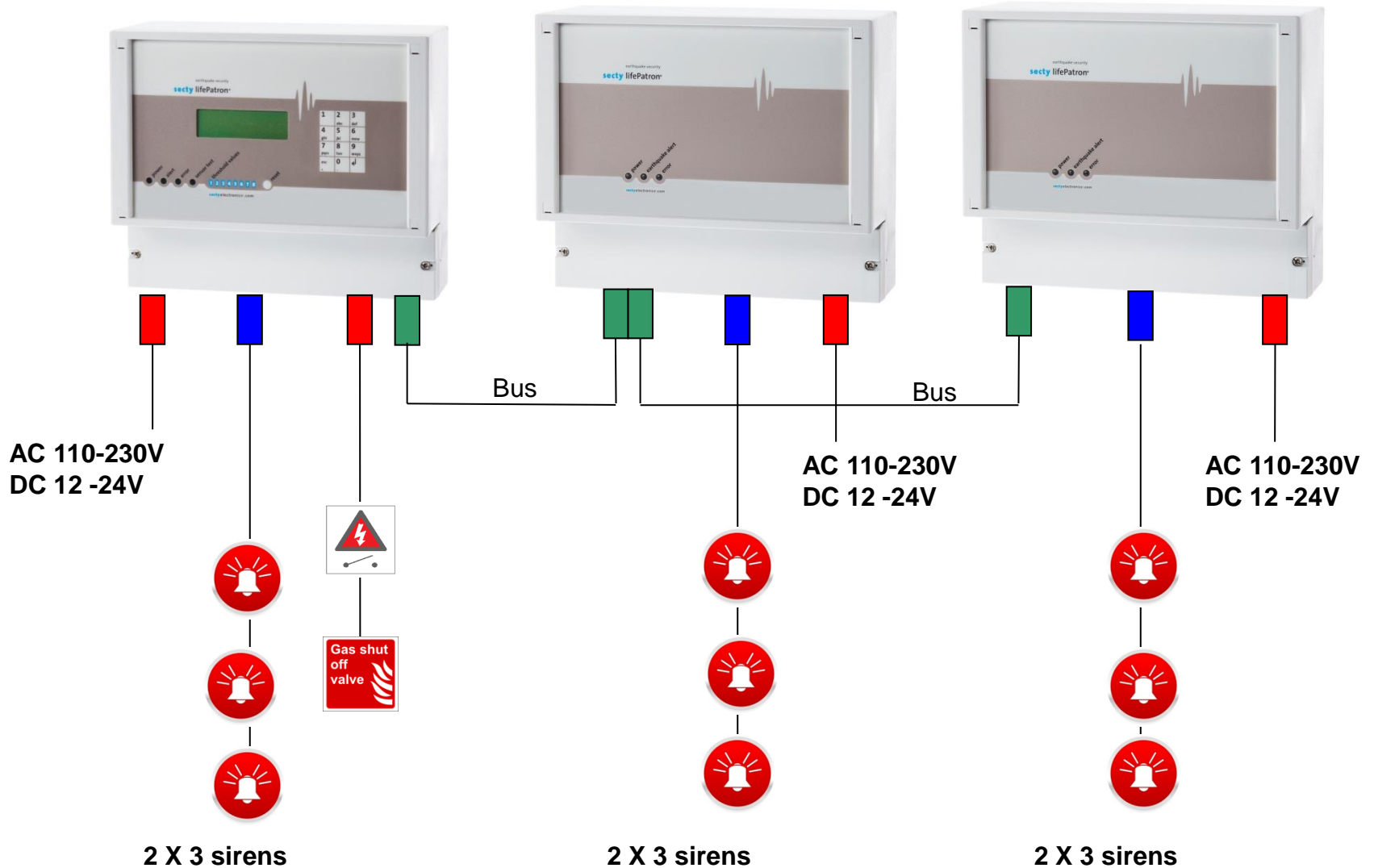
# Redundant System with MASTER and SUBMASTER



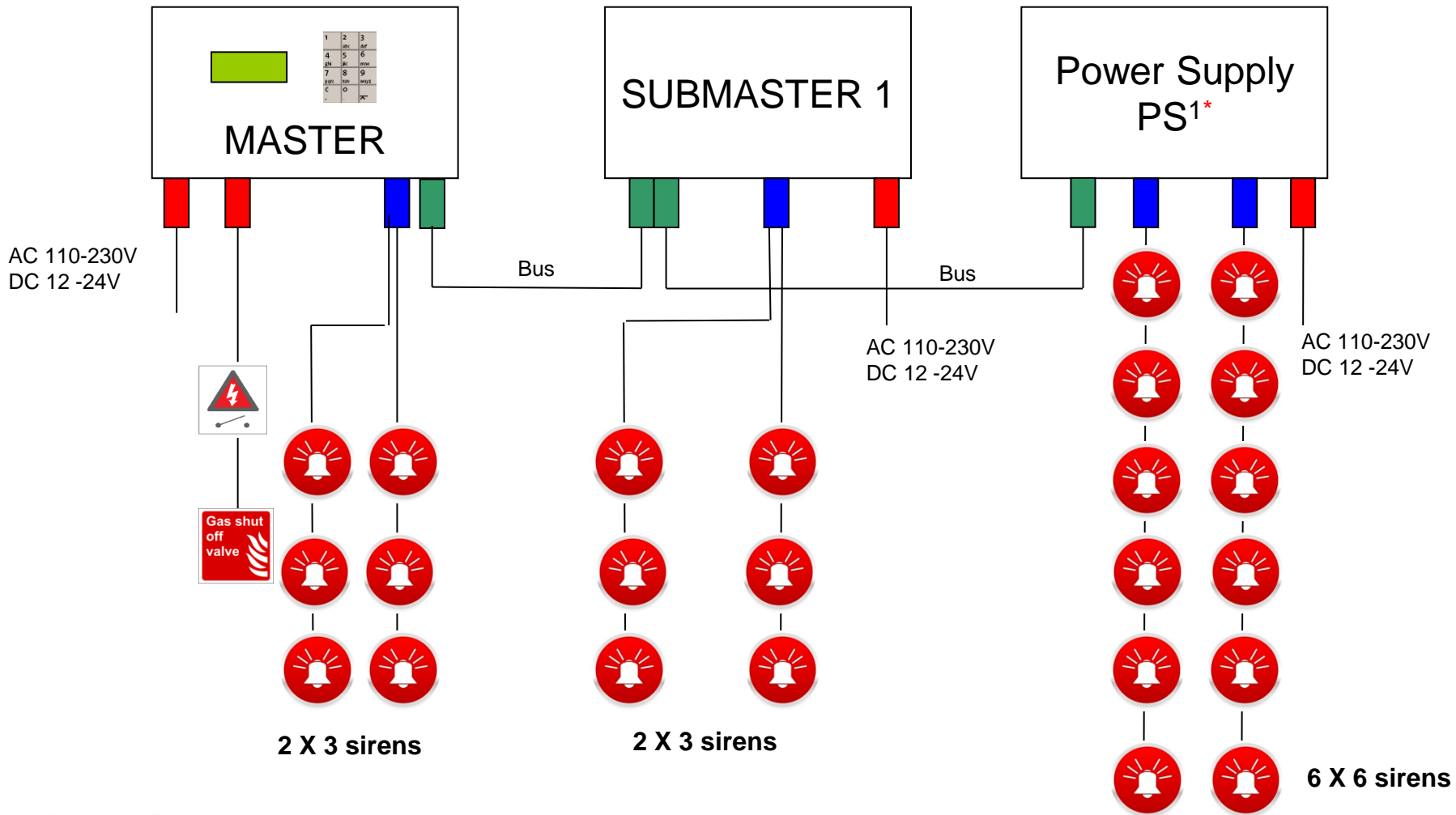
# Redundant MASTER with SUBMASTER in connection with an existing Building Management System



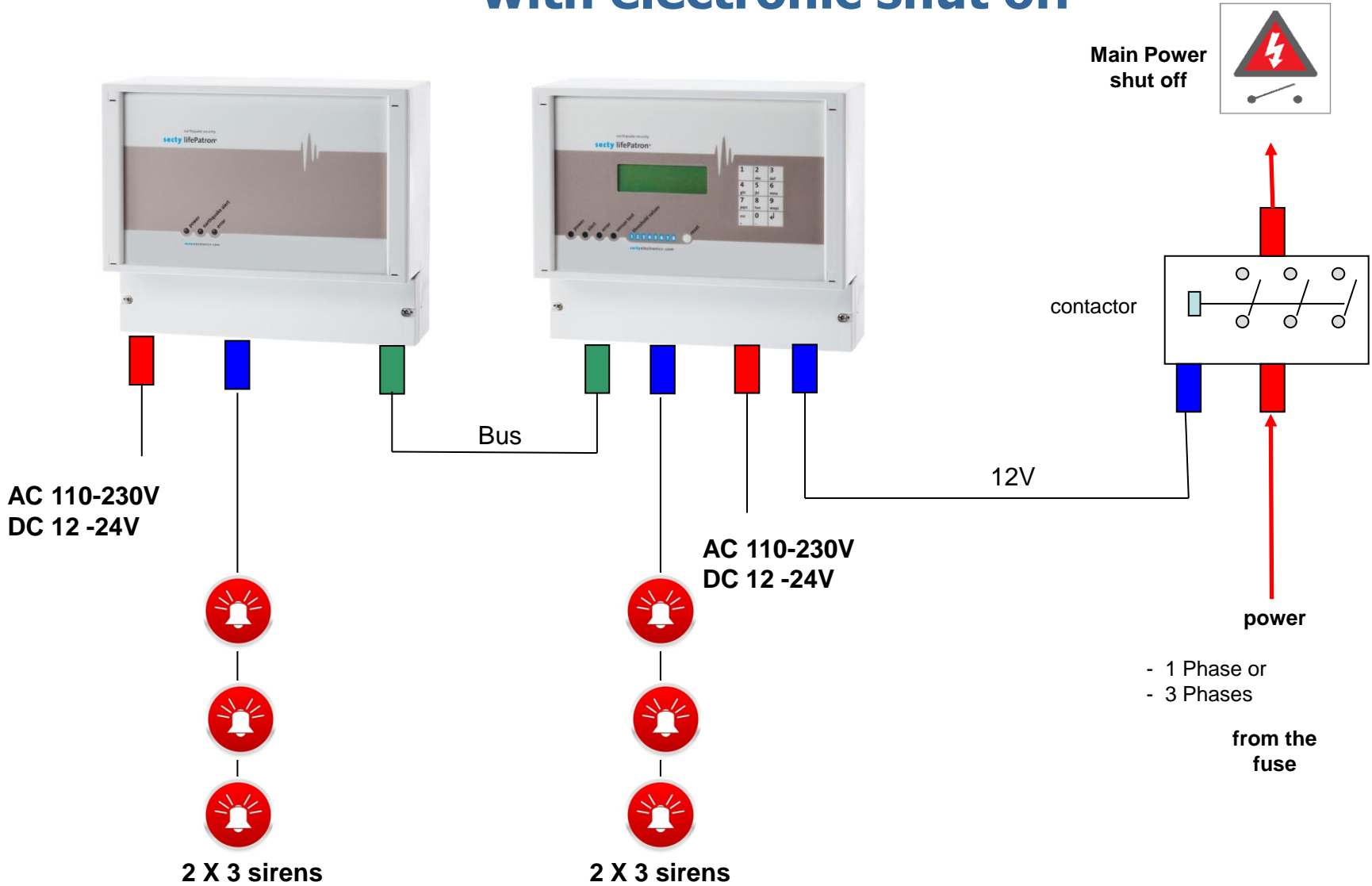
# Redundant Model with 2 SUBMASTER



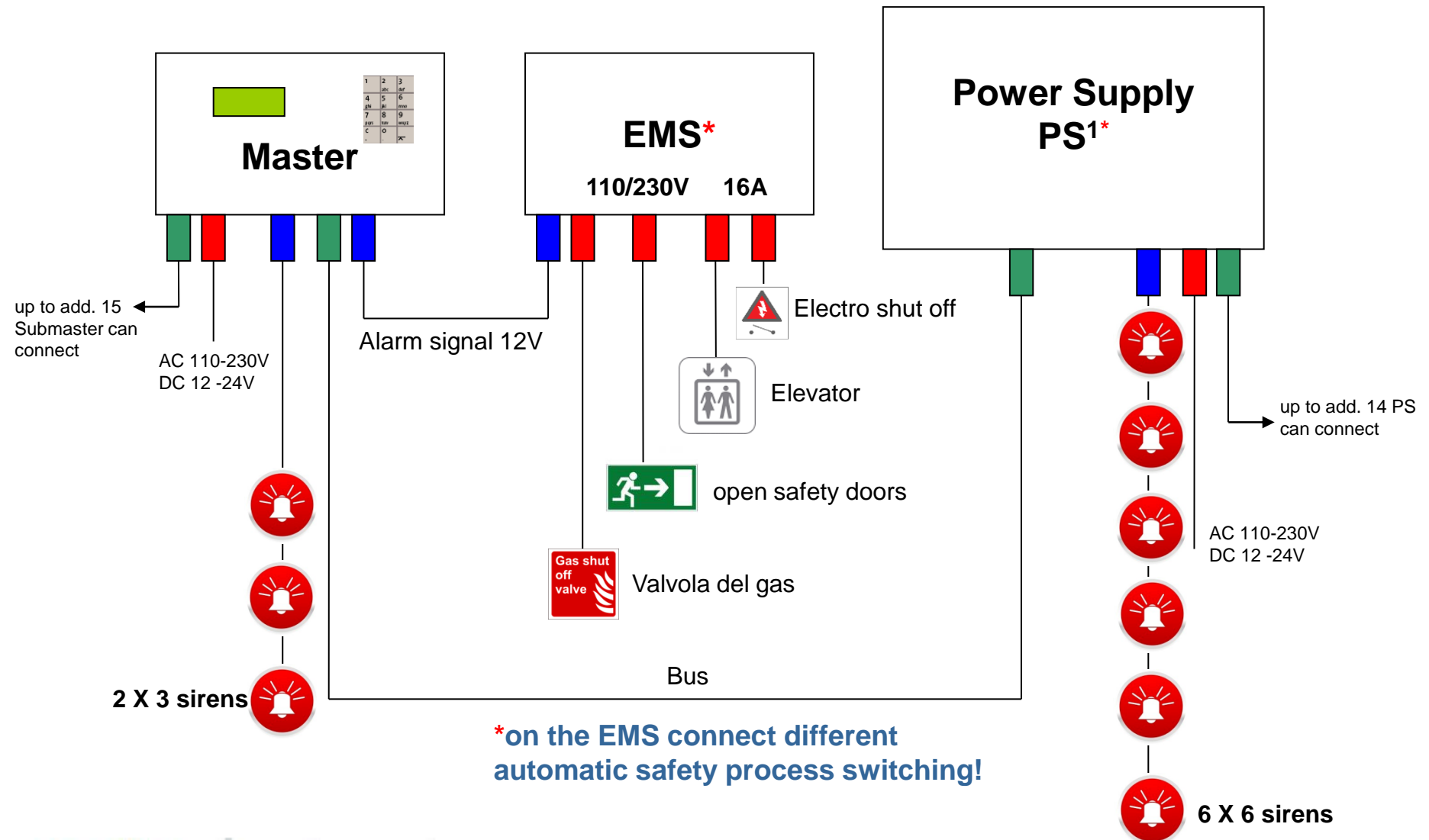
# Redundant Model with 1 SUBMASTER and 1 Power Supply PS\* for 36 Sirens



# Redundant Model Master and a SUBMASTER with electronic shut off

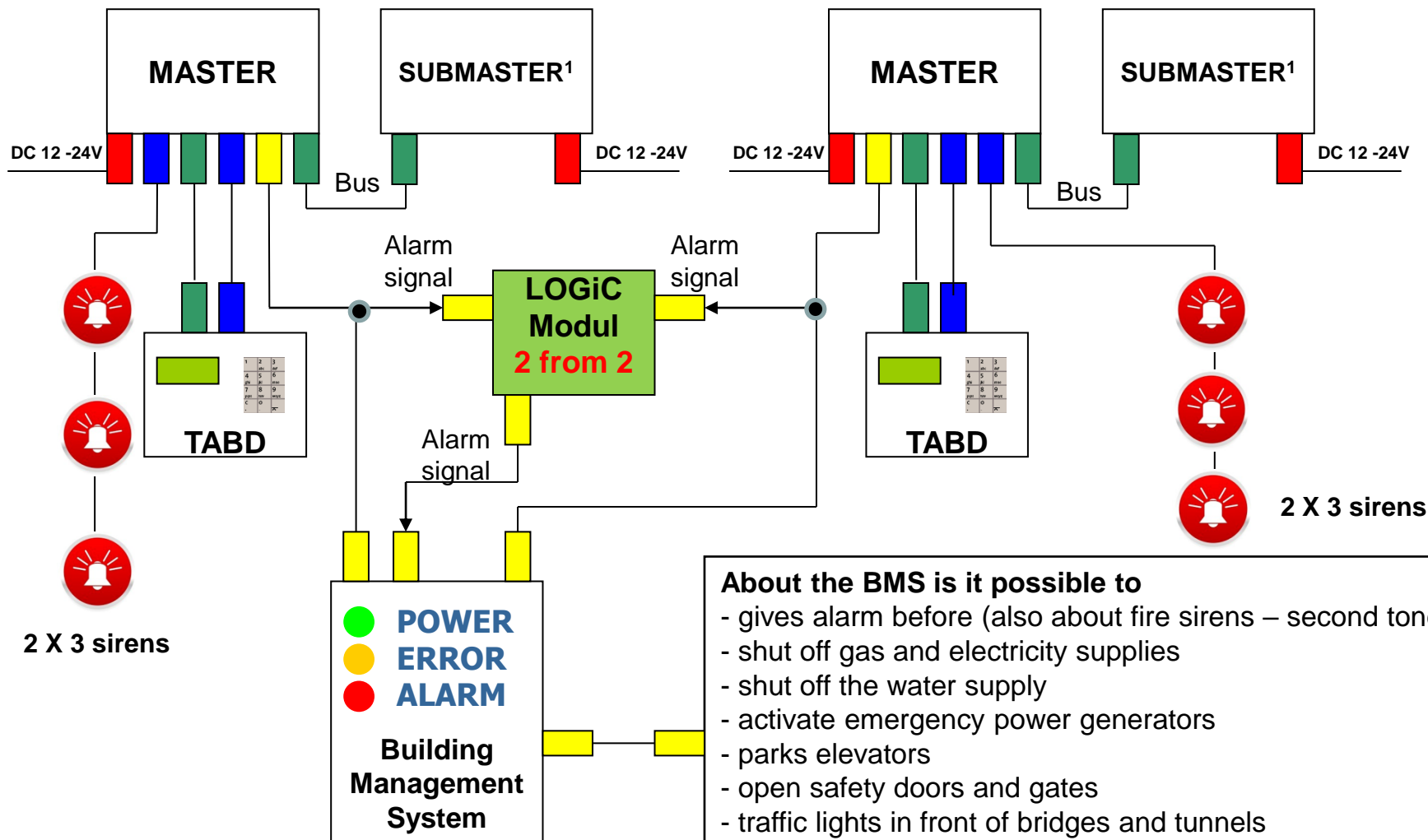


# EnergieManagementSystem

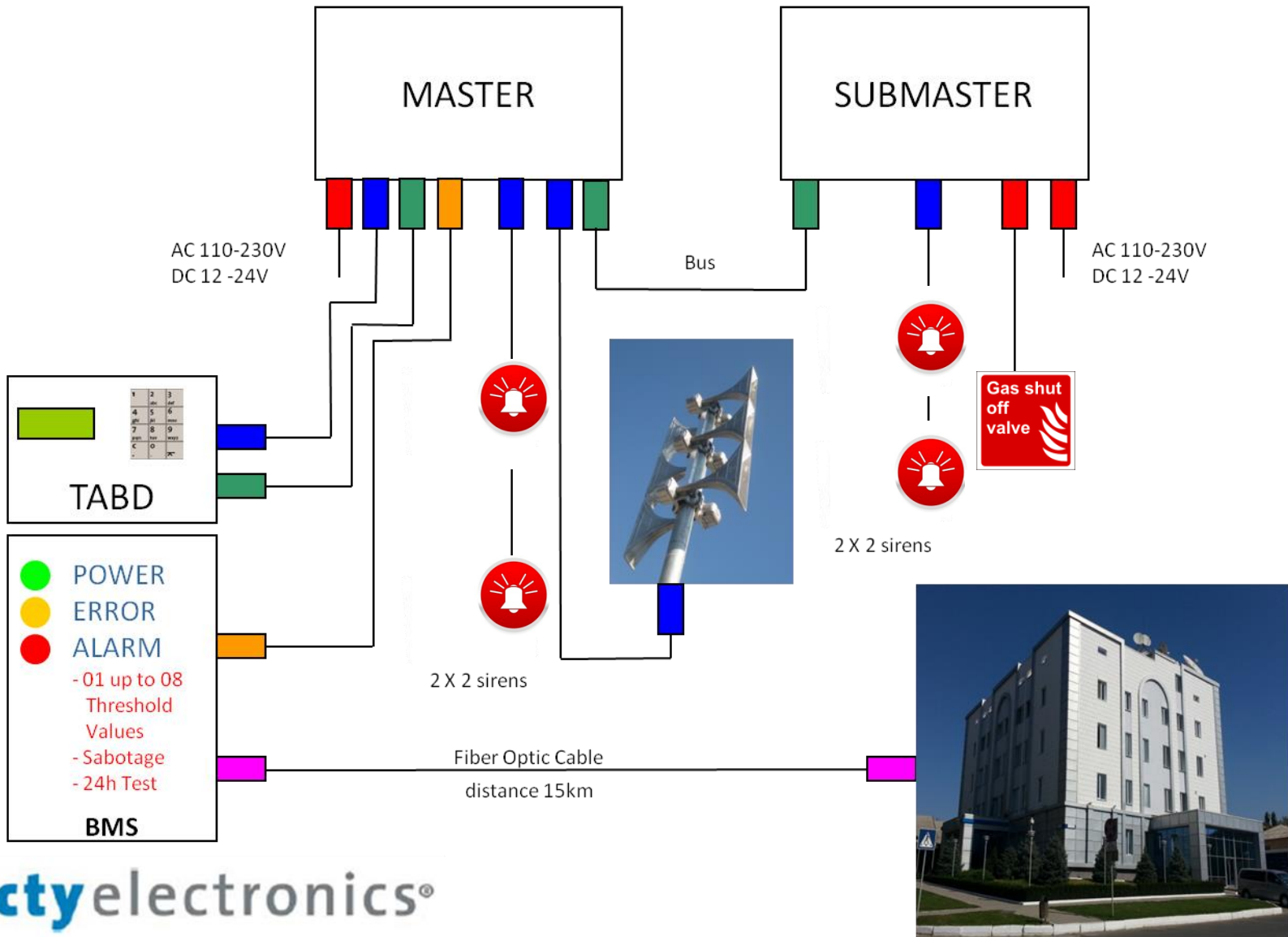




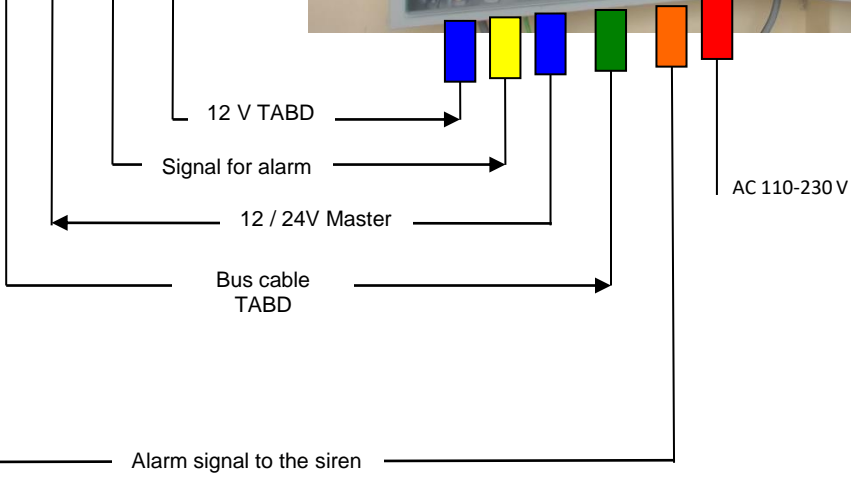
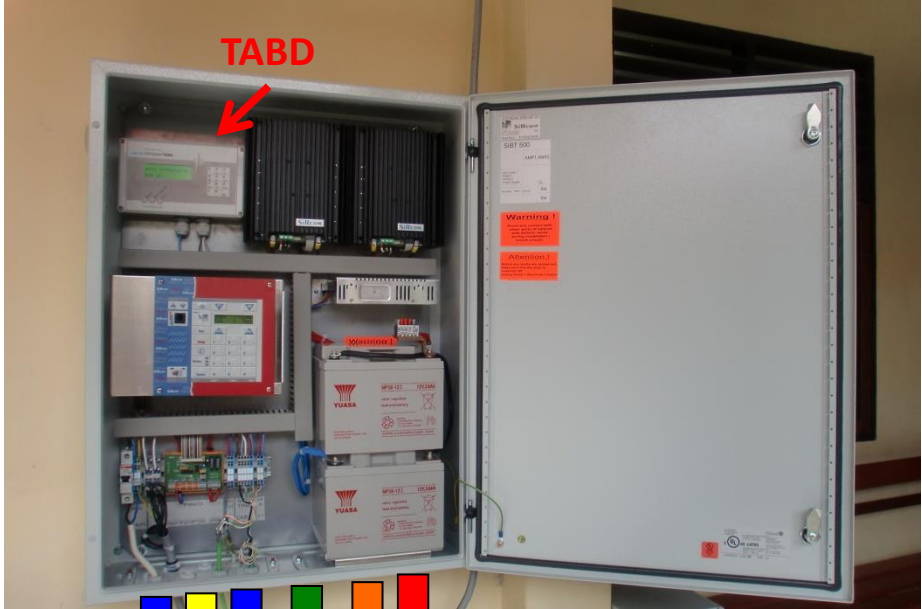
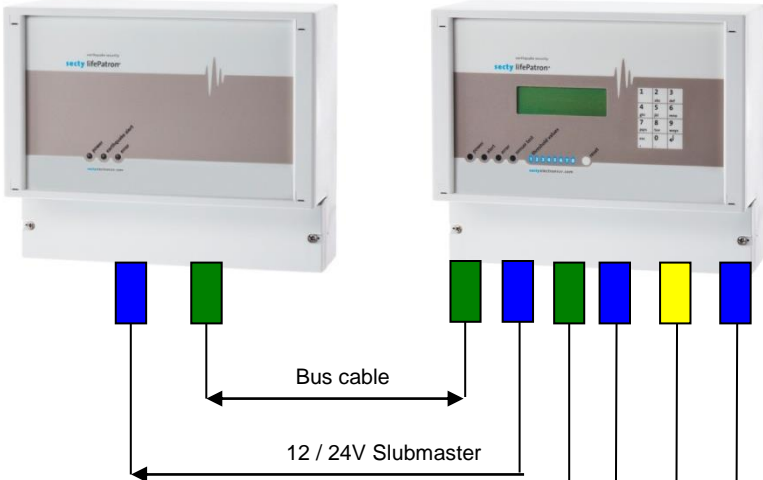
# Double redundant system in connection with a Logic Modul and an existing Building Management System



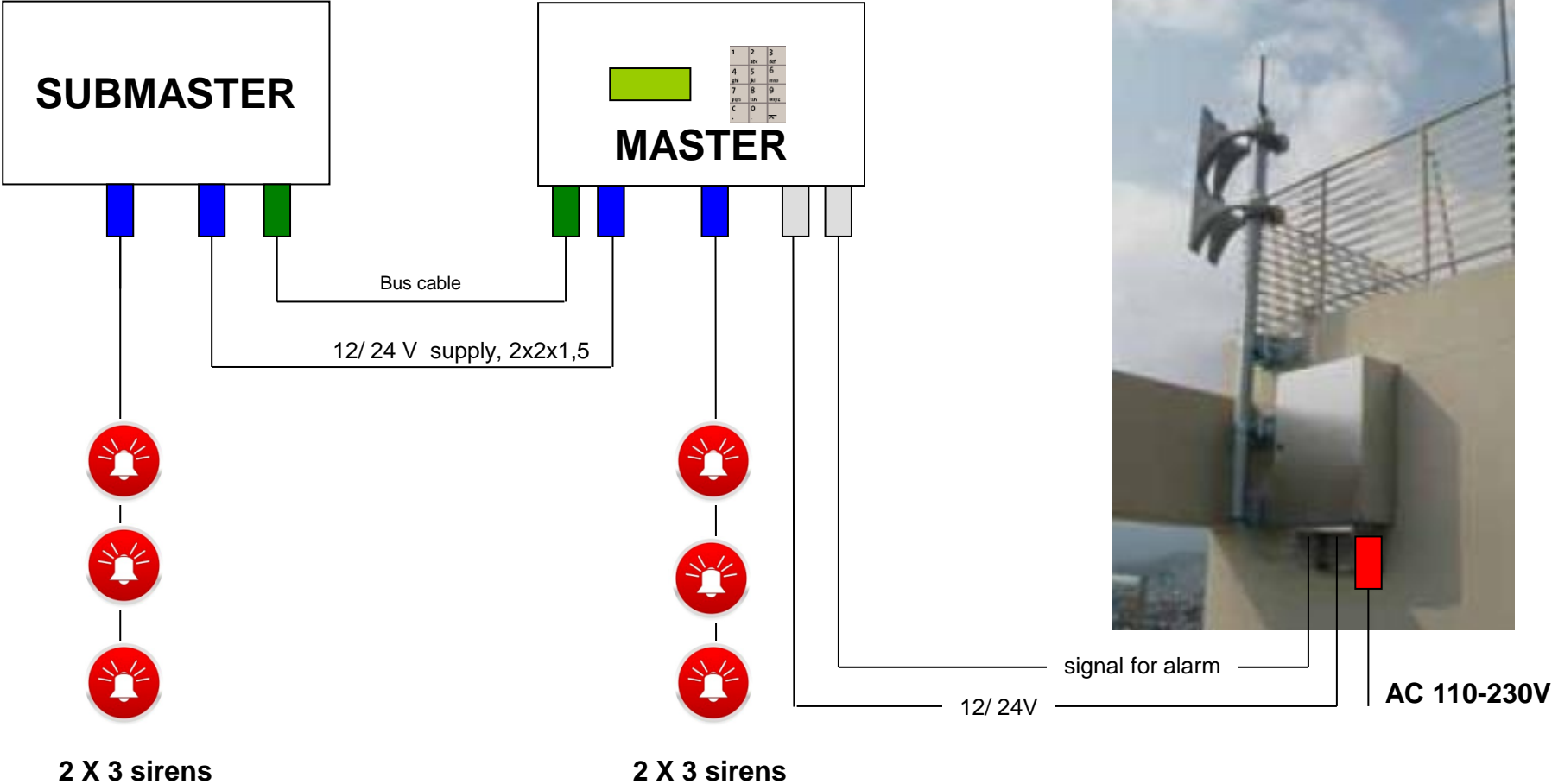
# Redundant system in connection with add. six buildings via optic fiber cable



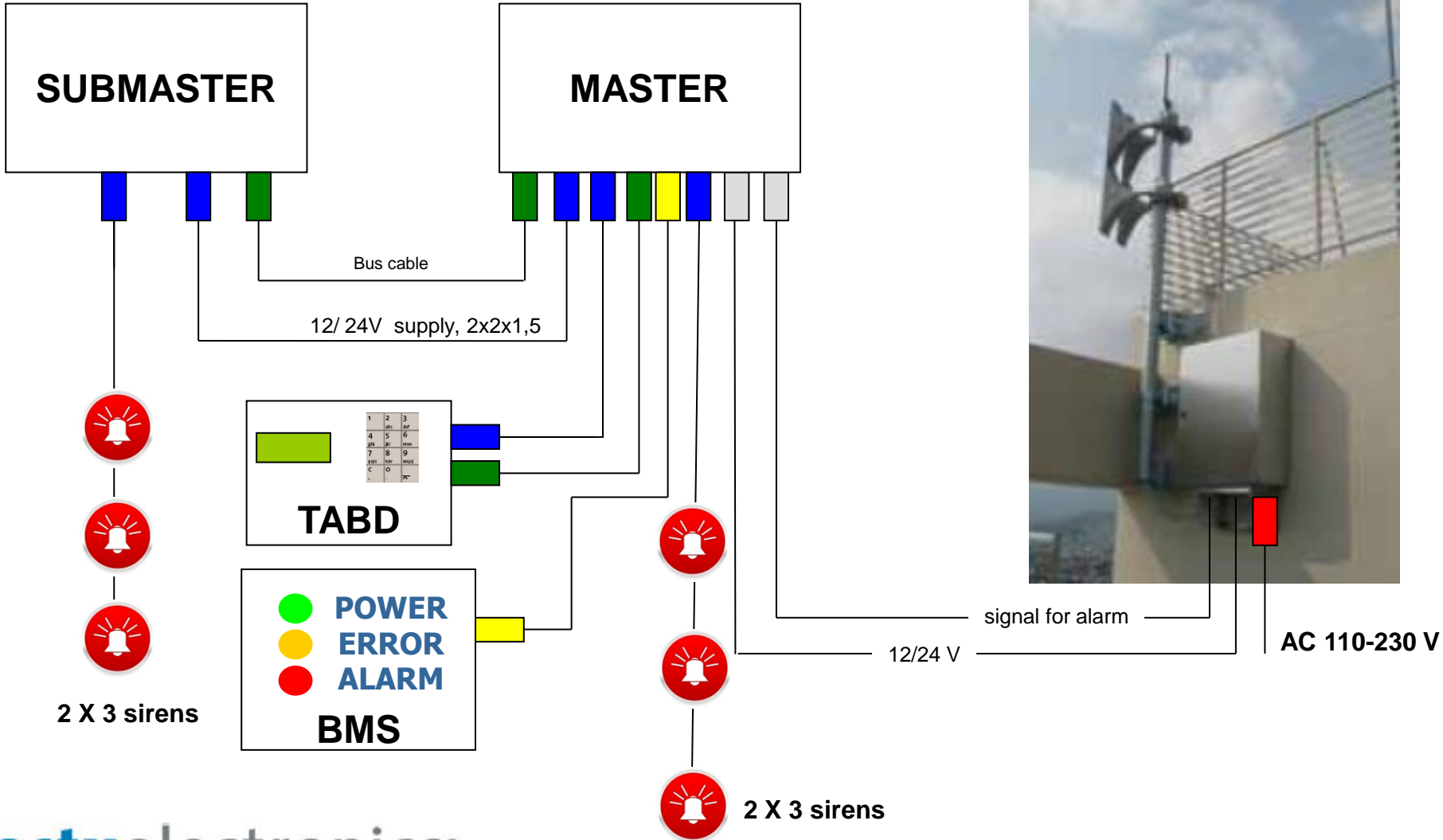
# Public warning



# Public warning by secty electronics GmbH about certificate sirens only can be used here!



# Public warning by secty electronics GmbH about certificate sirens only can be used here!



# Public warning by secty electronics GmbH about certificate sirens only can be used here!

**Building 1**

**Building 2**

